



# CLARE

# LBA126L Single Pole OptoMOS® Relays



	LBA126L	Units
Blocking Voltage	250	V
Load Current	150	mA
Max R <sub>ON</sub>	20	Ω

### Features

- Small 8 Pin DIP Package
- Current Limit
- Low Drive Power Requirements (TTL/CMOS Compatible)
- No Moving Parts
- High Reliability
- Arc-Free With No Snubbing Circuits
- 3750V<sub>RMS</sub> Input/Output Isolation
- No EMI/RFI Generation
- Machine Insertable, Wave Solderable
- Surface Mount and Tape & Reel Versions Available

### Applications

- Telecommunications
  - Telecom Switching
  - Tip/Ring Circuits
  - Modem Switching (Laptop, Notebook, Pocket Size)
  - Hookswitch
  - Dial Pulsing
  - Ground Start
  - Ringer Injection
- Instrumentation
  - Multiplexers
  - Data Acquisition
  - Electronic Switching
  - I/O Subsystems
  - Meters (Watt-Hour, Water, Gas)
- Medical Equipment-Patient/Equipment Isolation
- Security
- Aerospace
- Industrial Controls

### Description

LBA126L is a Dual 1 Form-A solid state relay that has two independently controlled optically coupled MOSFETs with an additional current limiting circuit. The efficient MOSFET switches and photovoltaic die use Clare's patented OptoMOS architecture to provide 3750 V<sub>RMS</sub> of input to output isolation. The optically coupled inputs are controlled by highly efficient GaAIAs infrared LEDs. Dual pole OptoMOS relays provide a more compact design solution than discrete single pole relays in a variety of applications. The dual pole relays save board space by incorporating both relays in a single 8-pin package.

### Approvals

- UL Recognized: File Number E76270
- CSA Certified: File Number LR 43639-10
- Certified to:
  - EN 60950
  - EN 41003
  - IEC950
  - AS/NZS 3260

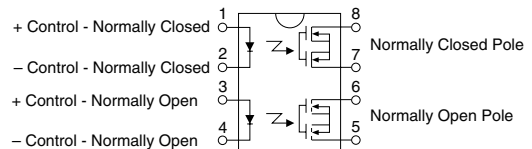
### Ordering Information

Part #	Description
LBA126L	8 Pin DIP (50/Tube)
LBA126PL	8 Pin Flatpack (50/Tube)
LBA126PLTR	8 Pin Flatpack (1000/Reel)
LBA126LS	8 Pin Surface Mount (50/Tube)
LBA126LSTR	8 Pin Surface Mount (50/Reel)

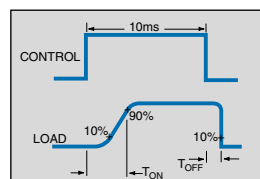
### Pin Configuration

#### LBA126L Pinout

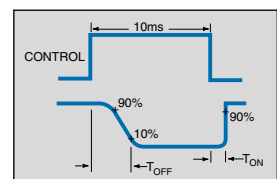
AC/DC Configuration



### Switching Characteristics of Normally Open (Form A) Devices



### Switching Characteristics of Normally Closed (Form B) Devices



**Absolute Maximum Ratings (@ 25° C)**

Parameter	Min	Typ	Max	Units
Input Power Dissipation	-	-	150 <sup>1</sup>	mW
Input Control Current	-	-	50	mA
Peak (10ms)	-	-	1	A
Blocking Voltage DC or AC peak	-	-	250	V
Reverse Input Voltage	-	-	5	V
Total Power Dissipation	-	-	800 <sup>2</sup>	mW
Isolation Voltage Input to Output	3750	-	-	V <sub>RMS</sub>
Operational Temperature	-40	-	+85	°C
Storage Temperature	-40	-	+125	°C
Soldering Temperature DIP Package	-	-	+260	°C
Flatpack/Surface Mount Package (10 Seconds Max.)	-	-	+220	°C

<sup>1</sup> Derate Linearly 1.33 mw/°C

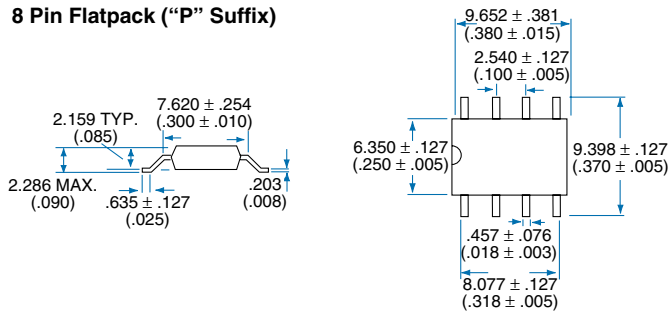
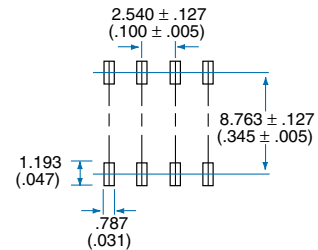
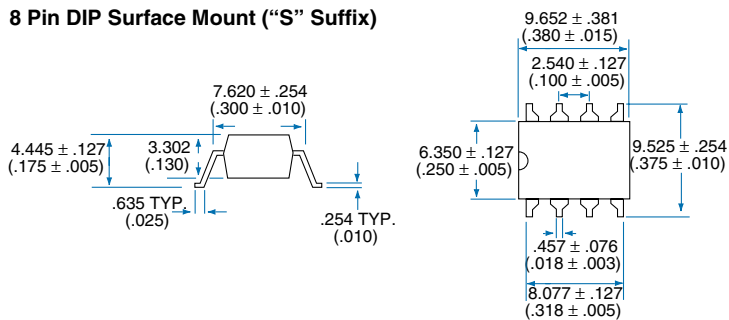
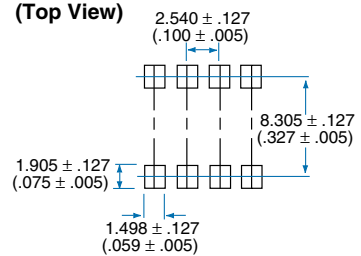
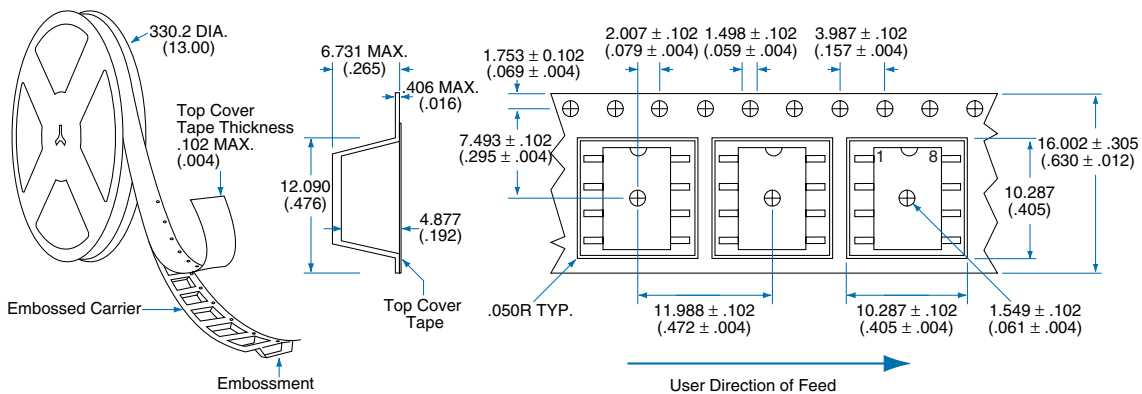
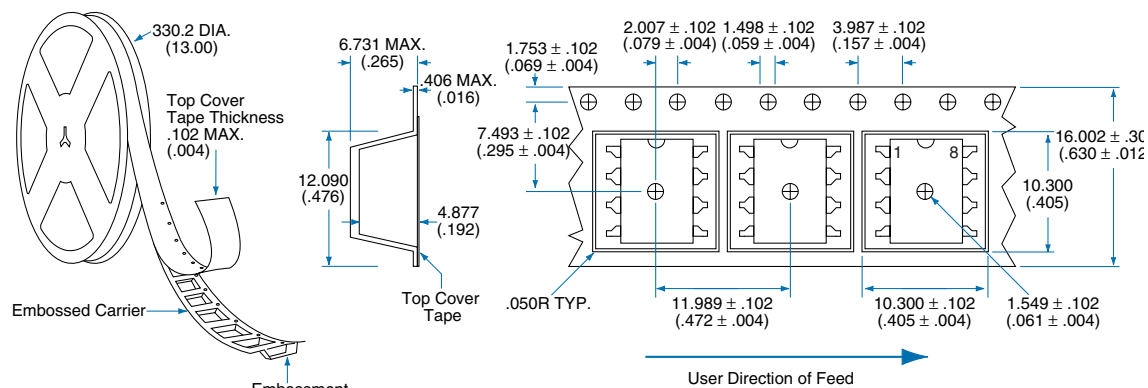
<sup>2</sup> Derate Linearly 6.67 mw/°C

*Absolute Maximum Ratings are stress ratings. Stresses in excess of these ratings can cause permanent damage to the device. Functional operation of the device at these or any other conditions beyond those indicated in the operational sections of this data sheet is not implied. Exposure of the device to the absolute maximum ratings for an extended period may degrade the device and effect its reliability.*

**Electrical Characteristics**

Parameter	Conditions	Symbol	Min	Typ	Max	Units
<b>Output Characteristics @ 25°C</b>						
Load Current *(Continuous) AC/DC Configuration	-	I <sub>ON</sub>			150	mA
Peak Load Current	10ms	I <sub>LPK</sub>	-	-	400	mA
On-Resistance AC/DC Configuration	I <sub>L</sub> =150mA	R <sub>ON</sub>	-	-	20	Ω
Off-State Leakage Current	V <sub>L</sub> =250V	I <sub>LEAK</sub>	-	-	1	μA
Switching Speeds						
Turn-On	I <sub>F</sub> =5mA, V <sub>L</sub> =10V	T <sub>ON</sub>	-	-	5	ms
Turn-Off	I <sub>F</sub> =5mA, V <sub>L</sub> =10V	T <sub>OFF</sub>	-	-	5	ms
Output Capacitance	50V; f=1MHz	C <sub>OUT</sub>	-	50	-	pF
Load Current Limiting		I <sub>CL</sub>	170	235	280	mA
<b>Input Characteristics @ 25°C</b>						
Input Control Current	I <sub>L</sub> =150mA	I <sub>F</sub>	5	-	50	mA
Input Dropout Current	-	-	0.4	0.7	-	mA
Input Voltage Drop	I <sub>F</sub> =5mA	V <sub>F</sub>	0.9	1.2	1.4	V
Reverse Input Voltage	-	V <sub>R</sub>	-	-	5	V
Reverse Input Current	V <sub>R</sub> =5V	I <sub>R</sub>	-	-	10	μA
<b>Common Characteristics @ 25°C</b>						
Input to Output Capacitance	-	C <sub>I/O</sub>	-	3	-	pF

\*NOTE: If both poles operate simultaneously load current must be derated so as not to exceed the package power dissipation value.

**MECHANICAL DIMENSIONS**
**8 Pin Flatpack ("P" Suffix)**

**PC Board Pattern (Top View)**

**8 Pin DIP Surface Mount ("S" Suffix)**

**PC Board Pattern (Top View)**

**Tape and Reel Packaging for 8 Pin Flatpack Package**

**Tape and Reel Packaging for 8 Pin Surface Mount Package**


**Dimensions**  
 mm  
 (inches)



# CLARE

---

**For additional information please visit our website at: [www.clare.com](http://www.clare.com)**

*Clare, Inc. makes no representations or warranties with respect to the accuracy or completeness of the contents of this publication and reserves the right to make changes to specifications and product descriptions at any time without notice. Neither circuit patent licenses nor indemnity are expressed or implied. Except as set forth in Clare's Standard Terms and Conditions of Sale, Clare, Inc. assumes no liability whatsoever, and disclaims any express or implied warranty, relating to its products including, but not limited to, the implied warranty of merchantability, fitness for a particular purpose, or infringement of any intellectual property right.*

*The products described in this document are not designed, intended, authorized or warranted for use as components in systems intended for surgical implant into the body, or in other applications intended to support or sustain life, or where malfunction of Clare's product may result in direct physical harm, injury, or death to a person or severe property or environmental damage. Clare, Inc. reserves the right to discontinue or make changes to its products at any time without notice.*

Specification: DS-LBA126L-R1.0  
©Copyright 2002, Clare, Inc.  
OptoMOS® is a registered trademark of Clare, Inc.  
All rights reserved. Printed in USA.  
6/5/02